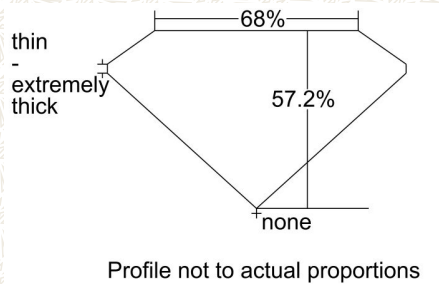


GIA COLORED DIAMOND REPORT

June 01, 2015  
 Report Type ..... Grading Report  
 GIA Report Number ..... 1172103211  
 Shape and Cutting Style . Round-Cornered Rectangular  
 Modified Brilliant  
 Measurements ..... 4.87 x 4.46 x 2.55 mm  
 Carat Weight ..... 0.44 carat  
 Color Grade ..... Fancy Light Bluish Green  
 Color Origin ..... Natural  
 Color Distribution ..... Even  
 Clarity Grade ..... VVS1  
 Proportions:

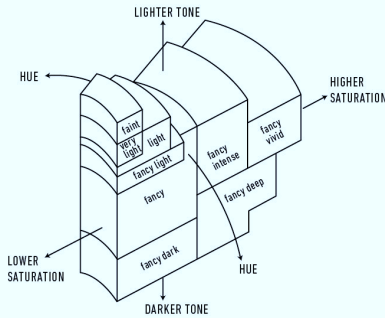


Polish ..... Good  
 Symmetry ..... Good  
 Fluorescence ..... Strong Blue  
 Inscription(s): GIA 1172103211

**Comments:** Clarity grade is based on internal graining that is not shown. Additional extra facets are not shown.

ADDITIONAL INFORMATION

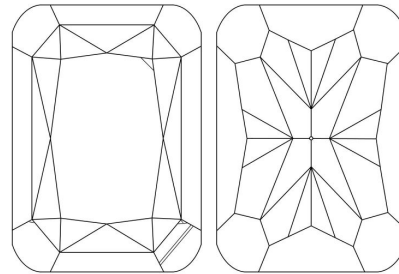
GIA COLORED DIAMOND SCALE



GIA CLARITY SCALE

FLAWLESS
INTERNALLY FLAWLESS
VERY VERY SLIGHTLY INCLUDED VVS <sub>1</sub>
VVS <sub>2</sub>
VERY SLIGHTLY INCLUDED VS <sub>1</sub>
VS <sub>2</sub>
SLIGHTLY INCLUDED SI <sub>1</sub>
SI <sub>2</sub>
INCLUDED I <sub>1</sub>
I <sub>2</sub>
I <sub>3</sub>

CLARITY CHARACTERISTICS



KEY TO SYMBOLS\*

^ Extra Facet

\* Red symbols denote internal characteristics (inclusions). Green or black symbols denote external characteristics (blemishes). Diagram is an approximate representation of the diamond, and symbols shown indicate type, position, and approximate size of clarity characteristics. All clarity characteristics may not be shown. Details of finish are not shown.



The results documented in this report refer only to the diamond described, and were obtained using the techniques and equipment used by GIA at the time of examination. This report is not a guarantee or valuation. For additional information and important limitations and disclaimers, please see [www.gia.edu/terms](http://www.gia.edu/terms) or call +1 800 421 7250 or +1 760 603 4500. ©2014 Gemological Institute of America, Inc.

[reportcheck.gia.edu](http://reportcheck.gia.edu)



 THE SECURITY FEATURES IN THIS DOCUMENT, INCLUDING THE HOLOGRAM, SECURITY SCREEN AND MICROPRINT LINES, IN ADDITION TO THOSE NOT LISTED, EXCEED DOCUMENT SECURITY INDUSTRY GUIDELINES.